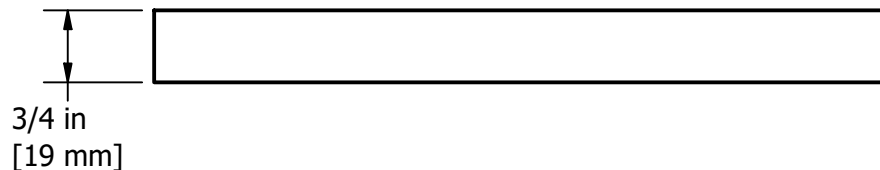


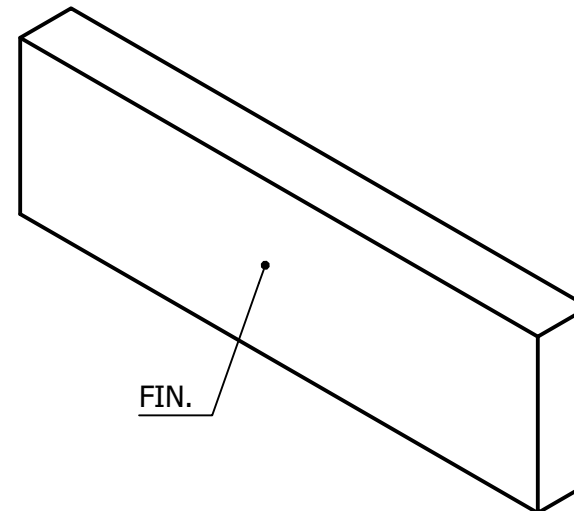
SHAPE SHADE: _

NOTE:

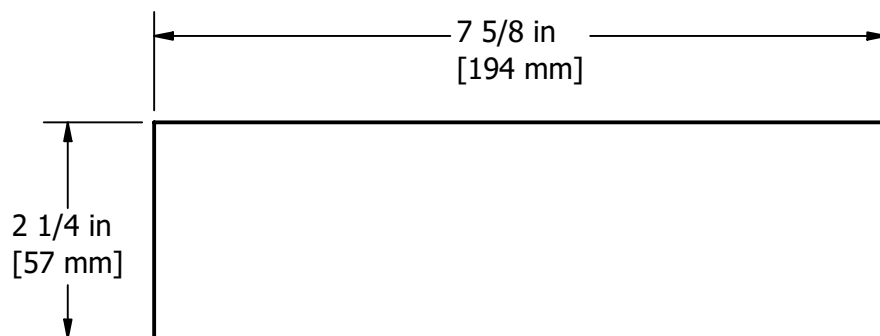
- MANUFACTURER MUST HAVE THE OPTION TO PROVIDE CORE HOLES AS NECESSARY
- METRIC DIMENSIONS ARE ROUNDED
- BACK GEOMETRY, PROVIDED BY MANUFACTURER, WHEN REQUESTED



TOP VIEW



ISOMETRIC VIEW



FRONT VIEW

MODULAR 3/4" THIN BRICK (FLAT BACK)

$v = 12.867 \text{ in}^3$

DISTRIBUTOR APPROVAL	
SIGNATURE	DATE:
<input type="checkbox"/> AS DRAWN	<input type="checkbox"/> WITH CHANGES

DATE:	THE BELDEN BRICK COMPANY CANTON, OHIO
DRAWN BY:	
SHAPE DRAWING:	JOB:
ORDER NO.:	DISTRIBUTOR: