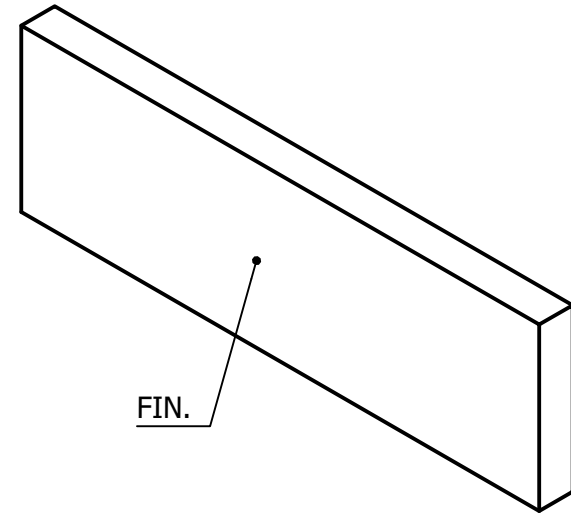
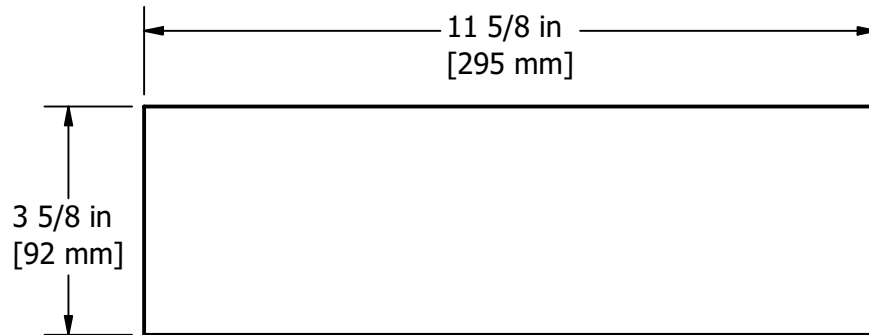


SHAPE SHADE: _

NOTE:

- MANUFACTURER MUST HAVE THE OPTION TO PROVIDE CORE HOLES AS NECESSARY
- METRIC DIMENSIONS ARE ROUNDED
- BACK GEOMETRY, PROVIDED BY MANUFACTURER, WHEN REQUESTED



UTILITY 5/8" THIN BRICK (FLAT BACK)

v= 31.605 in^3

DISTRIBUTOR APPROVAL	
SIGNATURE	DATE:
<input type="checkbox"/> AS DRAWN	<input type="checkbox"/> WITH CHANGES

DATE:
DRAWN BY:
SHAPE DRAWING:
ORDER NO.:

THE BELDEN BRICK COMPANY CANTON, OHIO	
JOB:	
DISTRIBUTOR:	